

POR. GOV'T LOT 1, SEC. 04, T05N, R11W, S.M.

049-381

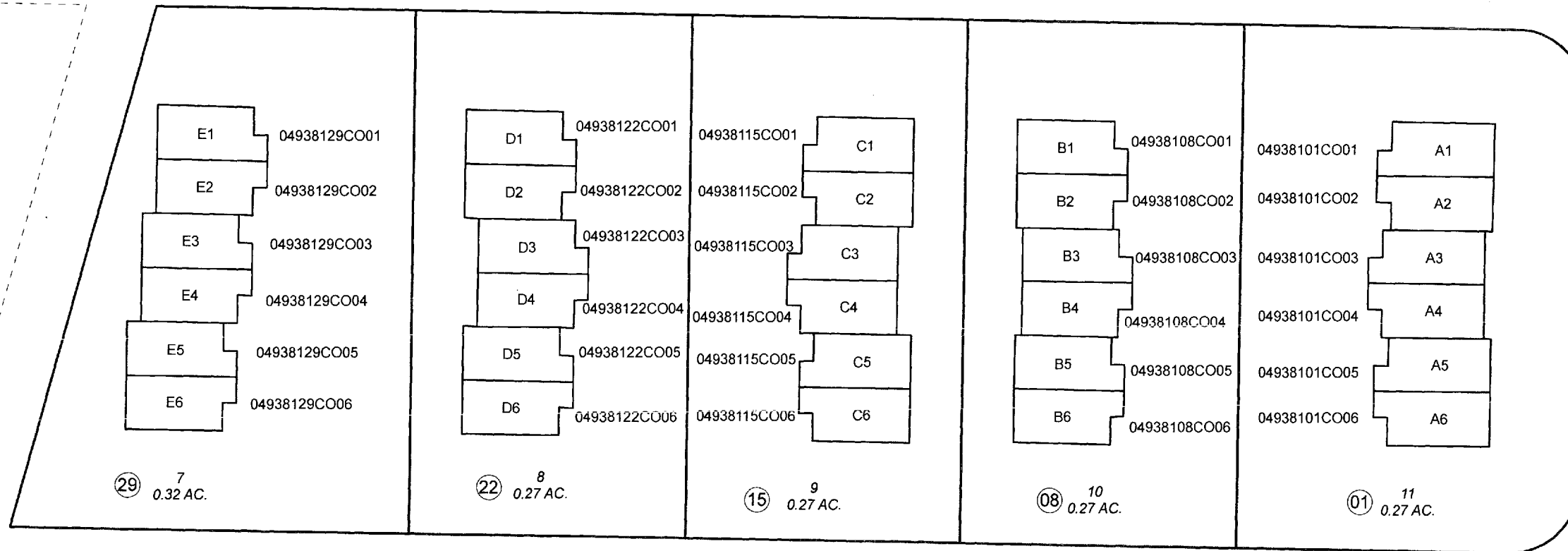
BK
045

LAWTON DR

T06N-R11W
T05N-R11W

33 34
4 3

DEEPWOOD MANOR CONDOMINIUMS



STINKER LN

AUK ST



AUGUST 17, 2010

For 2011 assessment roll		
Delete	Add	Revise
To		
02-07, 09-14, 16-21, 23-28, 30-35	(ADDED CONDO REFERENCES)	01,08, 15,22, 29

Assessor's Map
Kenai Peninsula Borough

380

DEEPWOOD MANOR CONDOMINIUMS KN0830267

This map is prepared for Kenai Peninsula Borough Assessing Dept. use only and is not intended for conveyance nor is it a survey.

Note- Assessor's block Numbers Shown in Ellipses
Assessor's Parcel Numbers Shown in Circles